



Installation and Operation Instructions

7660 Series LED Hybrid Beacons

The 7660 Series RotoLED™ beacon combines all the major benefits of the latest LED's with the unmistakable warning signal of a rotator, without compromising reliability. LED hybrid technology uses a brushless hybrid stepper motor to spin the reflector disk, reducing noise and eliminating the typical motor/gear drawbacks associated with conventional rotators. The 7660 also features eight 3-watt LED's and TIR optic to provide SAE J845 Class 1 light output. Additional benefits include an extended, service free life, low amp draw and a 5 year warranty.

CE, e, SAE J845, IP 67, ECE R65 (blue only)



WARNING!

Failure to install or use this product according to manufacturers recommendations may result in property damage, serious bodily/personal injury, and/or death to you and those you are seeking to protect!



Do not install and/or operate this safety product unless you have read and understand the safety information contained in this manual.

1. Proper installation combined with operator training in the use, care, and maintenance of emergency warning devices are essential to ensure the safety of you and those you are trying to protect.
2. Exercise caution when working with live electrical connections.
3. This product must be properly grounded. Inadequate grounding and/or shorting of electrical connections can cause high current arcing, which can cause personal injury and/or severe vehicle damage, including fire.
4. Proper placement and installation are vital to the performance of this warning device. Install this product so that output performance of the system is maximized and the controls are placed within convenient reach of the operator so that s/he can operate the system without losing eye contact with the roadway.
5. It is the responsibility of the vehicle operator to ensure during use that all features of this product work correctly. In use, the vehicle operator should ensure the projection of the warning signal is not blocked by vehicle components (i.e., open trunks or compartment doors), people, vehicles, or other obstructions.
6. The use of this or any other warning device does not ensure all drivers can or will observe or react to a warning signal. Never take the right-of-way for granted. It is your responsibility to be sure you can proceed safely before entering an intersection, driving against traffic, responding at a high rate of speed, walking on or around traffic lanes.
7. This equipment is intended for use by authorized personnel only. The user is responsible for understanding and obeying all laws regarding warning signal devices. Therefore, the user should check all applicable city, state, and federal laws and regulations. The manufacturer assumes no liability for any loss resulting from the use of this warning device.

Specifications:

Size:	7660	6.3" dia. x 6.2" high
	7660-VM	8.0" dia. x 7.1" high
Weight:	7660	approx. 2.5 lbs.
	7660-VM	approx. 4.1 lbs.
Input Voltage:	12 to 24 VDC systems	
Input Current:	1.7 Amps Maximum (+12.8VDC)	
	Maximum power consumption: 22 watts (+12.8VDC)	

Flash Rate:

7660: 120 cycles/minute

Output Power (zone total):

White:	36,000 Candela-Seconds per Minute
	Minimum
Amber:	18,000 Candela-Seconds per Minute
	Minimum
Red/Blue:	9,000 Candela-Seconds per Minute
	Minimum

Temp. Range: -30°C to +50°C

Installation & Mounting:

Important! This unit is a safety device, and it must be connected to its own separate, fused power point to assure its continued operation should any other electrical accessory fail.

Carefully remove the beacon and place it on a flat surface. Examine the unit for transit damage, and locate all parts. If damage is found, or parts are missing, contact the Distributor. Do not use damaged or broken parts.

Caution! When drilling into any vehicle surface, make sure that the area is free from any electrical wires, fuel lines, vehicle upholstery, etc. that could be damaged.

Permanent Mounting:

1. Select the desired location on a flat surface for the beacon to be mounted. The visibility of the LED hybrid flash and ease of wiring access should be taken into consideration in the selection of the mounting location.
2. Using the base gasket as a template, mark the three mounting hole locations (see Figure 1).
3. Drill the holes using a 7/32" drill size.
4. A fourth hole (3/8") may be drilled for wire access as shown in Figure 1, or the wires may be routed through the knock-out in the base for external access. The wires may be routed through the included grommet.
5. Connect the power wires as shown in the wiring section (see Figure 3).
6. Mount the beacon with #10 hardware.

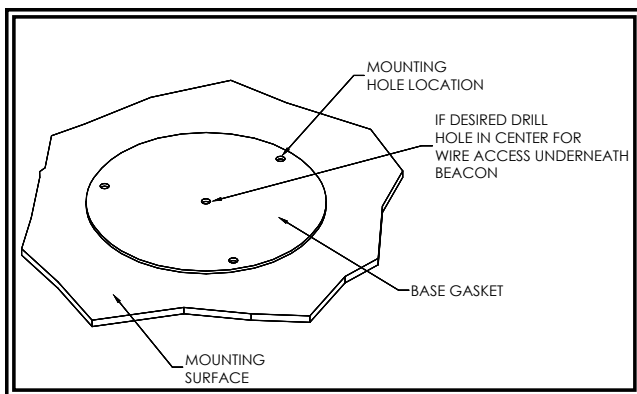


Figure 1

Pipe Mounting:

The 7660 series LED hybrid beacons use the A7660PF 1" NPT flange kit (not included) to allow for pipe mounting.

The magnet mount is not recommended for use on a moving vehicle, nor is it intended as a permanent mount for the beacon. Long duration usage of the magnet in the presence of moisture will cause the steel to rust.

Temporary Mounting, Vacuum-Magnet Mount:

The Vacuum-Magnet Mount feature includes a suction cup on the bottom of the beacon, with a magnet inside of the suction cup, for a secure, temporary mount. The beacon should be placed in the center of the roof where the least amount of curvature occurs. Before installing, make sure the mounting surface is clean and there is no debris on the bottom of the beacon or on the roof of the vehicle, which could reduce the holding power of the suction cup and magnet. Place and remove the beacon without sliding to avoid scratching the paint on the vehicle. After placement, the beacon should adhere firmly to the surface. If the unit slides or moves easily, a proper installation has not been obtained. To release the vacuum, lift the tab to release the airlock (see Figure 2). To protect the Vacuum-Magnet Mount assembly, return beacon to the box when not in use. Do not attempt to attach the beacon to an ice-covered surface.

WARNING!
Maximum recommended vehicle speed for safe operation using the Vacuum Mount model is 65 mph (104 km/h), when fitted to the center of a vehicle roof of steel construction. Higher speeds could cause the mount to fail, resulting in the beacon flying off of the vehicle, which could cause damage to other vehicles, and injury or death to the passengers. The vacuum-magnet mount is not intended as a permanent mounting for the beacon. The vacuum-magnet mount unit must be mounted on a flat smooth magnetic surface (i.e. no fiberglass, ribbed style roofs, etc.). Insure that the magnet is kept clean.

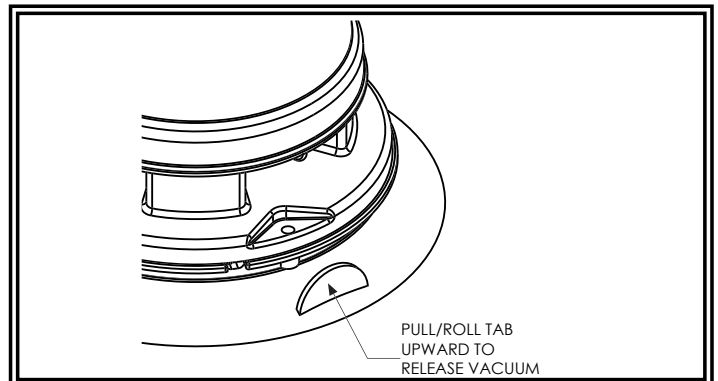


Figure 2

WARNING!
Failure to follow these instructions can result in fire or injury from excessive heat build up.

- Operator is responsible for ensuring cigarette adapter fits correctly into cigarette/auxiliary outlet used.
- For proper operation, verify cigarette/auxiliary outlet circuit is rated to supply, a minimum of 10 amps. (See specifications section for rated current in amperes).
- Do not exceed the current rating for the cigarette lighter power outlet recommended by vehicle manufacturer.
- Keep cigarette lighter adapter, and outlet, clean and free of debris.
- Do not use the cigarette lighter adapter when wet.
- Insert cigarette lighter adapter fully into the outlet for proper connection.
- Grasp cigarette lighter adapter, NOT cord, to remove from outlet.
- Remove cigarette lighter adapter completely from outlet when light is not in use.

Wiring:

Important! Disable power before wiring the beacon.

The wiring for this configuration is as shown in Figure 3. All wiring should be a minimum of 18AWG. The positive line must have a 5 amp fuse, as shown. A switch may be used to control the on/off function. Suggest routing ground wire directly back to negative battery terminal. Pack dielectric grease, such as Dow Corning 4, around each electric connection exposed to moisture or the ambient environment.

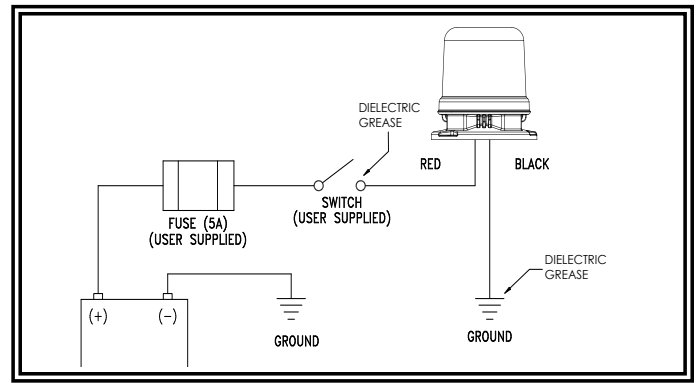


Figure 3

Manufacturer Limited Warranty and Limitation of Liability:

Manufacturer warrants that on the date of purchase this product will conform to Manufacturer's specifications for this product (which are available from the Manufacturer upon request), and Manufacturer further warrants that this product is free from defects in materials and workmanship. This Limited Warranty extends for five (5) years from the date of purchase. Other warranties may apply, call Manufacturer for details. Manufacturer will, at its discretion, repair or replace any product found by the Manufacturer to be defective and subject to this Limited Warranty.

DAMAGE TO PARTS OR PRODUCTS RESULTING FROM TAMPERING, ACCIDENT, ABUSE, MISUSE, NEGLIGENCE, UNAPPROVED MODIFICATIONS, FIRE OR OTHER HAZARD; IMPROPER INSTALLATION OR OPERATION; OR NOT BEING MAINTAINED IN ACCORDANCE WITH THE MAINTENANCE PROCEDURES SET FORTH IN MANUFACTURER'S INSTALLATION AND OPERATING INSTRUCTIONS VOIDS THIS LIMITED WARRANTY.

ORAL STATEMENTS OR REPRESENTATIONS ABOUT THE PRODUCT WHICH MAY HAVE BEEN MADE BY SALESPEOPLE, DEALERS, AGENTS OR OTHER MANUFACTURER'S REPRESENTATIVES DO NOT CONSTITUTE WARRANTIES. THIS LIMITED WARRANTY MAY NOT BE AMENDED, MODIFIED, OR ENLARGED EXCEPT BY A WRITTEN AGREEMENT SIGNED BY AN AUTHORIZED OFFICIAL OF MANUFACTURER WHICH EXPRESSLY REFERS TO THIS LIMITED WARRANTY.

Exclusion of Other Warranties:

MANUFACTURER MAKES NO OTHER WARRANTIES, EXPRESS OR IMPLIED. THE IMPLIED WARRANTIES FOR MERCHANTABILITY OR FITNESS FOR A PARTICULAR PURPOSE ARE HEREBY EXCLUDED AND SHALL NOT APPLY TO THE PRODUCT. BUYER'S SOLE AND EXCLUSIVE REMEDY IN CONTRACT, TORT, OR UNDER ANY OTHER THEORY AGAINST MANUFACTURER REGARDING THE PRODUCT AND ITS USE SHALL BE THE REPLACEMENT OR REPAIR OF THE PRODUCT AS DESCRIBED ABOVE.

Limitation of Liability:

IN THE EVENT OF LIABILITY FOR DAMAGES ARISING OUT OF THIS LIMITED WARRANTY OR ANY OTHER CLAIM RELATED TO THE MANUFACTURER'S PRODUCTS, MANUFACTURER'S LIABILITY FOR DAMAGES SHALL BE LIMITED TO THE AMOUNT PAID FOR THE PRODUCT AT THE TIME OF THE ORIGINAL PURCHASE. IN NO EVENT SHALL MANUFACTURER BE LIABLE FOR LOST PROFITS, THE COST OF SUBSTITUTE EQUIPMENT OR LABOR, PROPERTY DAMAGE, OR OTHER SPECIAL, CONSEQUENTIAL, OR INCIDENTAL DAMAGES BASED UPON ANY CLAIM FOR BREACH OF CONTRACT, IMPROPER INSTALLATION, NEGLIGENCE, OR OTHER CLAIM, EVEN IF MANUFACTURER OR A MANUFACTURER'S REPRESENTATIVE HAS BEEN ADVISED OF THE POSSIBILITY OF SUCH DAMAGES. MANUFACTURER SHALL HAVE NO FURTHER OBLIGATION OR LIABILITY WITH RESPECT TO THE PRODUCT OR ITS SALE, OPERATION AND USE, AND MANUFACTURER NEITHER ASSUMES NOR AUTHORIZES THE ASSUMPTION OF ANY OTHER OBLIGATION OR LIABILITY IN CONNECTION WITH SUCH PRODUCT.

This Limited Warranty defines specific legal rights. You may have other legal rights which vary from state to state. Some states do not allow the exclusion or limitation of incidental or consequential damages.



833 West Diamond St
Boise, Idaho 83705

Customer Service

USA 800-635-5900

UK +44 (0)113 237 5340

AUS +61 (0)3 63322444

www.eccogroup.com